

- Navien **SmartZone+** zone pump controllers are used as switching relays that allow for total customization of zoned heating systems
- **Compatible** with boilers (using T.T contacts) and pumps of all manufacturers that are installed in multi-zone space heating applications
- **Recommended** for zoned heating applications with Navien boilers for optimum control and performance
- **Multiple** controllers can be used to expand the number of zones (maximum of 24 total zones\*)  
\* requires (4) FMZ-60 units and the use of RS-485 (UTP 24 AWG) field-supplied communication wiring
- **Additional** features include **DHW Priority, Manual Pump Control, Purge Time settings, Automatic Air Purge, Freeze Protection** with Indoor Temperature Sensor, and **Advanced User Modes** for system customization
- The **Zone Pump Controller** includes the following items:
  - Microprocessor-Controlled Switching Relay (for 2-6 zones per unit)
  - Indoor Temperature Sensor (NTC thermistor with range up to 122°F/50°C)
  - Grommet Kit (for wiring)
  - Screw Kit
- **Dimensions:** 8.2" (20.8 cm) x 7.6" (19.3 cm) x 2.7" (6.9 cm) for FMZ-20/30  
11.0" (27.9 cm) x 7.6" (19.3 cm) x 2.7" (6.9 cm) for FMZ-40/60

## NAVIENTM SmartZone+



**NEW! Advanced Built-In Display  
with System Status and Diagnostics**

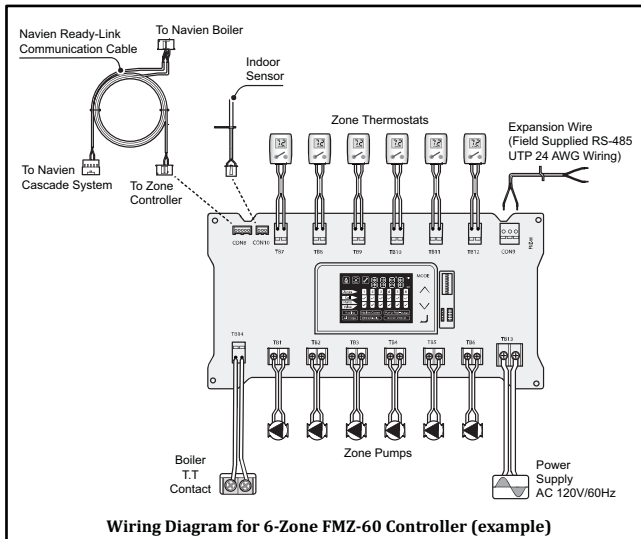
• **Electrical Specifications:**

Models	Part Numbers	Number of Zones	Combined Load	Pump Load	Pump Relay	Operating Voltage and Frequency	Thermostat Input
FMZ-20	PFMZ-02P-001	2	10A	1/3 hp MAX per pump	Resistance load: 16A/240VAC, 20A/120VAC	Rated voltage/frequency: 120V, 60 Hz,	Single Pole Single Throw (SPST), No power supplied to thermostat, DC 12V feedback signal only
FMZ-30	PFMZ-03P-001	3	10A		Motor load: 1/2hp (120VAC)	Voltage/frequency range: -15% to +15% of rated voltage/frequency	
FMZ-40	PFMZ-04P-001	4	20A				
FMZ-60	PFMZ-06P-001	6	20A				

- **Weight:** 2.0 lbs (0.9 kg) for FMZ-20/30 and 5.0 lbs (2.2 kg) for FMZ-40/60
- **Operating Temperature Range:** 32 - 122°F (0 - 50°C) - Indoor Use Only
- **Navien Model & Part Number(s):** FMZ-20 (#PFMZ-02P-001), FMZ-30 (#PFMZ-03P-001), FMZ-40 (#PFMZ-04P-001), FMZ-60 (#PFMZ-06P-001)



### Wiring Diagram



### Installation Example

