

- Primary and Secondary Manifolds* come pre-assembled in order to **reduce labor time** and **cost** for boiler installations while **maximizing system efficiency** without the need to fabricate a custom manifold

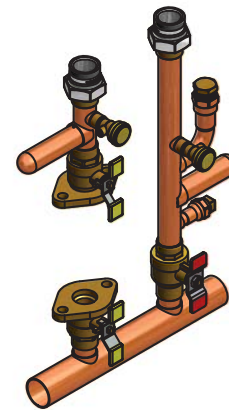
*Primary (#GFFM-MSOZUS-001) and Secondary (#GFFM-SKTZUS-001) Manifolds sold separately

- Ideal for **hydronic** and **radiant** space heating applications
- **Primary Manifold** is designed specifically for use with Navien **NHB Series** wall-hung boilers (*single unit/non-cascade applications only*)
- Compatible with all **NHB Series** boiler models: **NHB-055, NHB-080, NHB-110, NHB-150**
- The **SUPPLY** and **RETURN** connections on the Primary Manifold are installed directly onto the fittings located at the bottom of the NHB boiler
- Available stub-out connections for **DHW indirect water heater** installations
- **Secondary Manifolds** can be used with any heating system with compatible piping regardless of boiler model

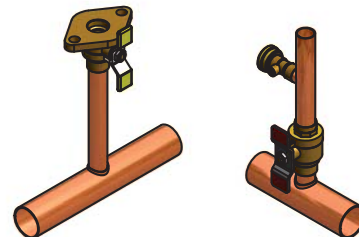
- The NHB Primary Manifold contains the following features:
 - **1" FNPT dielectric unions** for the boiler **SUPPLY** and **RETURN**
 - **1-1/2" sweat connections** for heating **SUPPLY** and **RETURN** piping
 - **1" flange connections** for use with boiler pumps
 - Produced with durable **L-copper** piping
 - **Shut-off valves** provided for **system isolation** and **ease of service**
 - **Two 1" stub-outs** for direct connection with an indirect DHW tank
 - **Two 1/4" service and drain ports** for easy maintenance
 - **1/2" and 3/4" ports** for use with heating system accessories

- The NHB Secondary Manifolds contain the following features:
 - Both **SUPPLY** and **RETURN** piping included in a single package
 - **3/4" sweat connections** for installation with heating devices
 - **1-1/2" sweat connections** for compatible heating system piping
 - **3/4" flange connections** for use with zone pumps
 - Produced with durable **L-copper** piping
 - **Shut-off valves** provided for **system isolation** and **ease of service**
 - **1/4" service and drain port** for easy maintenance

- **Weight:** 10.5 lbs (4.8 kg) for Primary and 6.5 lbs (2.9 kg) for Secondary

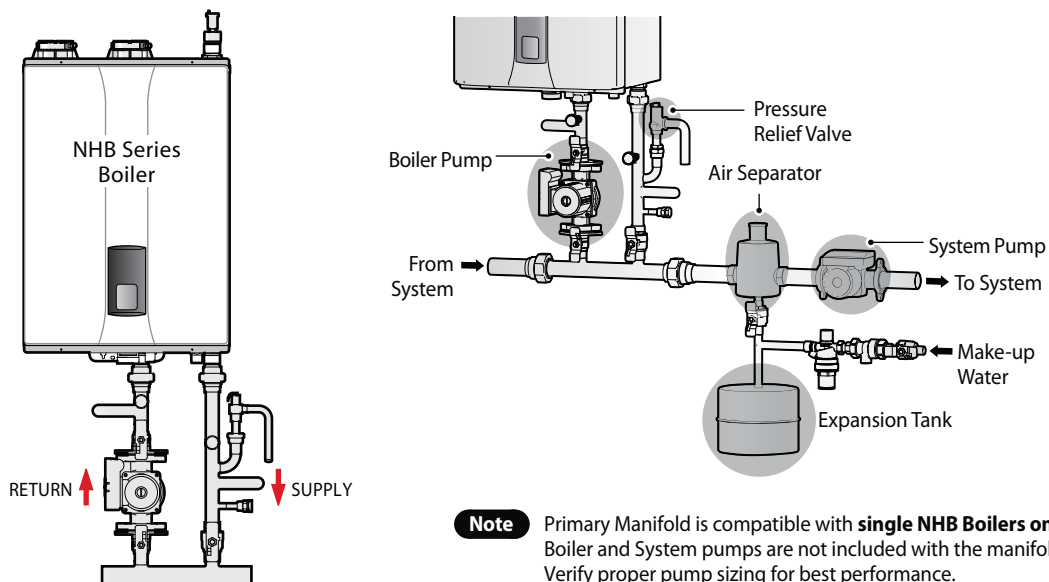


NHB Series Primary Manifold
(#GFFM-MSOZUS-001)

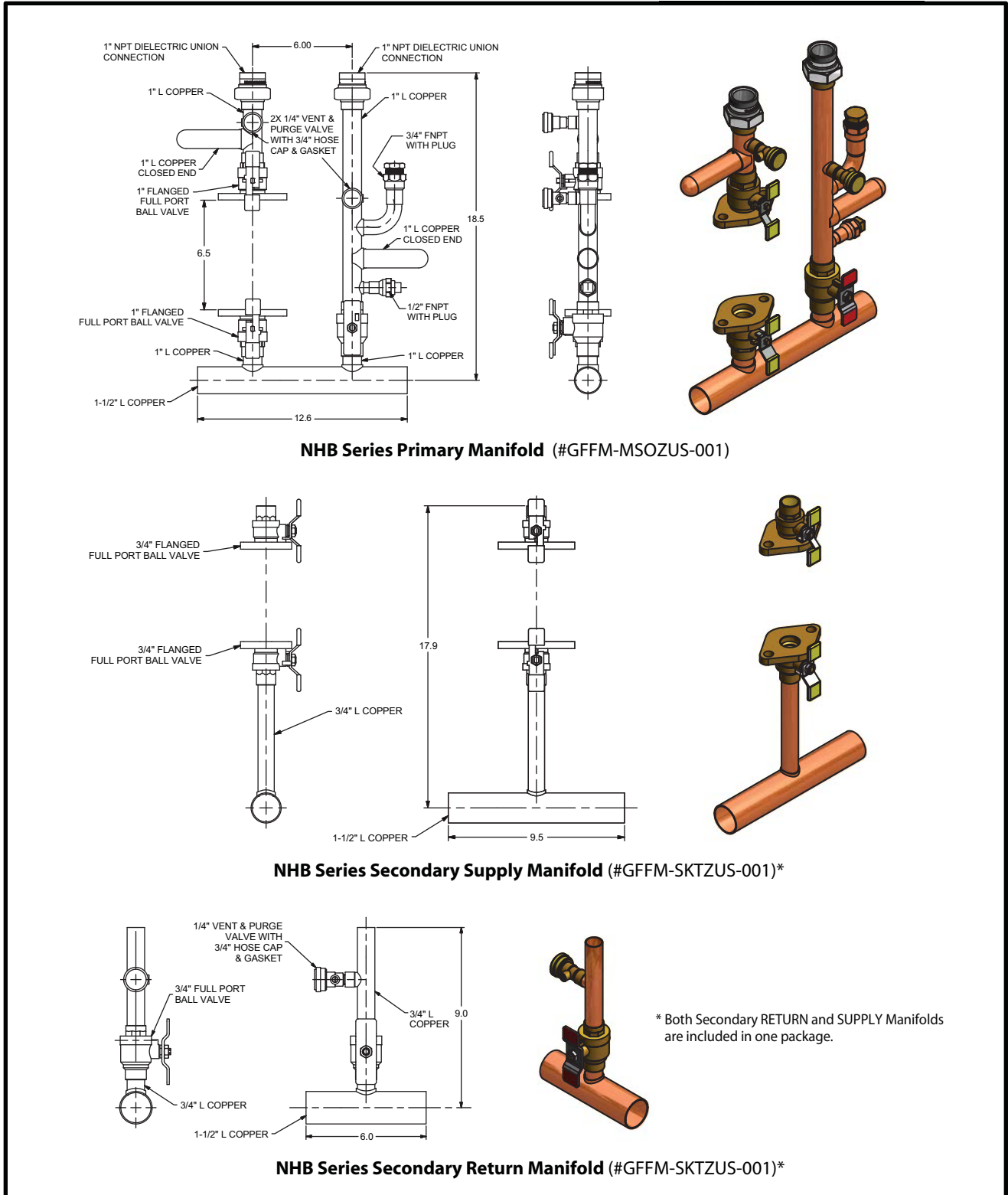


NHB Series Secondary Supply & Return Manifolds
(#GFFM-SKTZUS-001)

Installation Example



Dimensions



*Navien reserves the right to change specifications at any time without prior notice